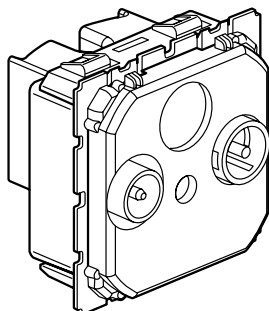
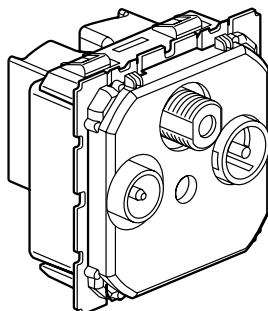


Céliane™ TV-R / TV-R-SAT sockets

Cat. No(s): 673 78/79/83/84/85/88/89



673 83/84/85



673 78/79/88/89

CONTENTS

Page

1. Use	1
2. Installation	1
3. Connection	1
4. Cabling precautions	1
5. Overall dimensions	1
6. Technical characteristics	2
7. Performance	3
8. Cleaning	3
9. Conformity and approvals	3

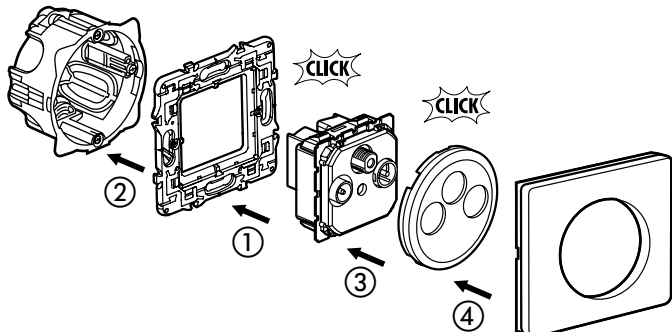
1. USE

For TV-R sockets (Cat. Nos. 673 83/84/85): installation on cabled network, Hertzian distribution or vestigial sideband amplitude modulation (VSB-AM) (collective satellite reception without individual demodulator).

For TV-R-SAT sockets (Cat. Nos 673 78/79/88/89): Hertzian and satellite installation with individual demodulator.

	Cat. No.	Designation	Weight (g)
	673 83	TV-R socket (male/female 9.52 type ECH01)	63
	673 84	TV-R socket (male/female 9.52 type PCH14)	
	673 85	Terminal TV-R socket (male/female 9.52 type TCH10)	
	673 88	TV-R-SAT socket (male/female 9.52 type ESH01)	66
	673 89	TV-R-SAT socket - 2 cables (male/female 9.52 type ESH02)	
	673 78	2400 MHz TV-R-SAT throughwiring socket 14 dB (PSH 14 type)	66
	673 79	2400 MHz TV-R-SAT terminal socket 10 dB (TSH 10 type)	

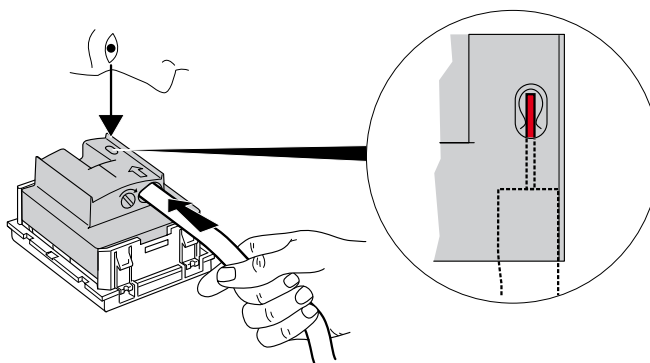
2. INSTALLATION



- 1 - The front of the mechanism clips onto the support.
- 2 - The support screws onto the flush-mounting box.
- 3 - The front cover clips onto the mechanism.
- 4 - The plate clips onto the support.

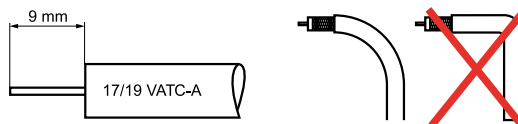
Can be fitted with all Céliane finishes.
Multi-gang horizontal and vertical mounting.

3. CONNECTION



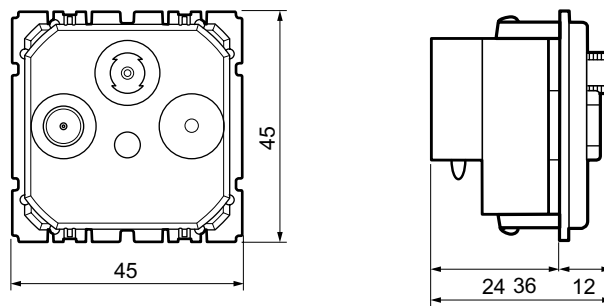
4. CABLING PRECAUTIONS

Stripping length



To avoid a break in impedance and therefore reduced performances caused by coaxial cable distortion, allow the maximum possible bend radius.
The use of a signal amplifier is required with throughwiring and terminal sockets to compensate for the losses generated by this technique.

5. OVERALL DIMENSIONS



TV-R / TV-R-SAT sockets**6. TECHNICAL CHARACTERISTICS****6.1 Mechanical characteristics**

Impact resistance: IK 02

Penetration by solid bodies/liquids: IP 20

6.2 Material characteristics

Cover plate: ABS IK 03

6.3 Electrical characteristics

- Male TV connector Ø 9.52 mm to IEC 61169-2

- Female FM connector Ø 9.52 mm to IEC 61169-2

- "F" female screw-in connector Ø 9.4 mm

- Self-extinguishing: 650°C / 30 s

- Frequency bands: TV : 5 - 68 / 120 - 862 MHz

FM: 87,5 - 108 MHz

SAT: 950 - 2400 MHz

- Typical impedance: 75 Ω

- Feedback channel on TV connector

- Loss through shield: UHF > 65 dB

VHF > 75 dB

SAT > 55 dB

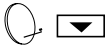

- Max. Ø of incoming cable on input: 7 mm

6.4 Climatic characteristics

Storage and operating temperature: - 5° C to + 40° C

TV-R / TV-R-SAT sockets

7. PERFORMANCE

	Coax	862 MHz Attenuation (insertion)		Command	Band 1	FM	VHF	UHF	BIS (sat)
	∅ 9.5 mm Z = 75	attenuation	500 mA	Control	Channel	Channel	Channel	Channel	Channel
			—	DISEqC®	47 - 68	87,5 - 108	120 - 470	470 - 862	950 - 2400
		dB	mA	KHz / V	MHz	MHz	MHz	MHz	MHz
673 83	⊙ TV				1.5 dB		1.5 dB		
	⊙ R					1.5 dB			
673 84	⊙ TV	$i \leq 1.5$			14 dB		14 dB		
	⊙ R					14 dB			
673 85	⊙ TV				10 dB		10 dB		
	⊙ R					10 dB			
673 88	⊙ TV				1.5 dB		1.5 dB		
	⊙ R					1.5 dB			
	⊙ SAT				yes	1.5 dB			
673 89	⊙ TV				1.5 dB		1.5 dB		
	⊙ R					1.5 dB			
	⊙ SAT				yes	1.5 dB			
673 78	⊙ TV	$i \leq 1.5$			14 dB		14 dB		
	⊙ R					14 dB			
	⊙ SAT				yes	1.5 dB			
673 79	⊙ TV				10 dB		10 dB		
	⊙ R					10 dB			
	⊙ SAT				yes	1.5 dB			

8. CLEANING

No cleaning.

9. COMPLIANCE - APPROVALS

Compliant with the following Standards: UTE C 90-125
NF EN 50083-4
NF EN 50083-2

Approvals: refer to the Legrand certification database.